

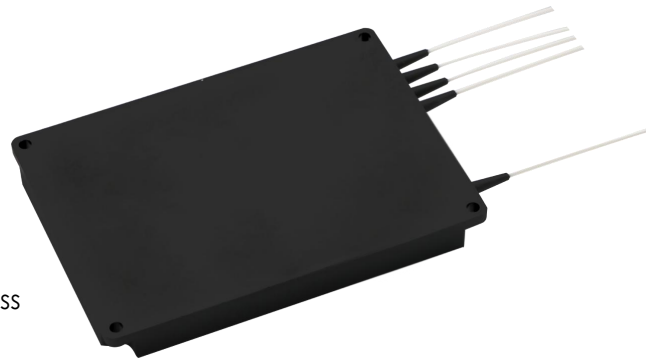
ABS Box DWDM Mux DeMux CH15 to CH64, 2-16CH

Description

The GrowsFiber ABS Box DWDM Mux DeMux is designed for multi-wavelength DWDM network applications. It is based on TFF technology and operates at 100GHz or 200GHz channel spacing ITU Grid DWDM wavelengths from CH15 to CH64. The Mux Type, Port Configuration (2-16CH Ports, 1310nm Port, Upgrade Port, Monitoring Port), Channel Spacing, Box Size, Fiber Type, Fiber Length, and Connector Type can be customized.

Features

- Low insertion loss
- High isolation
- Low polarization dependent loss
- Compact design
- Good channel-to-channel uniformity
- Wide operating wavelength range
- High reliability and high stability
- Telcordia GR-1209-CORE-2001 compliant
- Telcordia GR-1221-CORE-1999 compliant
- ITU-T G.694.1 compliant
- RoHS compliant



Applications

- Data Center Interconnect Network
- Metro Optical Transport Network
- Telecommunications Network
- Long-Haul Optical Backbone Network

ABS Box DWDM Mux DeMux CH15 to CH64, 2-16CH

Specifications

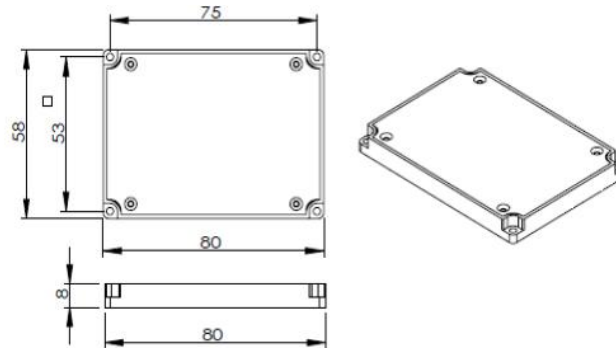
Parameters	Channel Options			
	2CH	4CH	8CH	16CH
Center Wavelength (nm)	ITU Grid			
Operating Wavelength (nm)	1520 to 1620			
Channel Space (nm)	0.8 or 1.6			
Passband @0.5dB (nm)	0.22			
Channels IL (dB)	< 1.5	< 1.8	< 2.6	< 4.2
Link IL (Mux+Demux) (dB)	< 2.7	< 3.0	< 3.8	< 5.4
Adjacent Channels Isolation (dB)	> 30			
Non-Adjacent Isolation (dB)	> 45			
Directivity (dB)	> 50			
Return Loss (dB)	> 45			
Ripple (dB)	< 0.5			
PDL (dB)	< 0.2			
PMD (ps)	< 0.1			
Maximum Optical Power (mw)	300			
Operating Temperature (°C)	-5 to +75			
Storage Temperature (°C)	-40 to +85			
Package (mm) (L×W×H)	80×58×8, 100×80×10, 120×80×18, 140×115×18			

Notes: All specifications are based on the devices with connectors, and guaranteed over wavelength and temperature. Fiber type is G657A.

ABS Box DWDM Mux DeMux CH15 to CH64, 2-16CH

Mechanical Dimensions

Example:



Ordering Information

Part Number	Description
GFDWA2	ABS Box DWDM, 2CH
GFDWA4	ABS Box DWDM, 4CH
GFDWA8	ABS Box DWDM, 8CH
GFDWA16	ABS Box DWDM, 16CH

Note: If there is a demand for orders that are different from those described above, please contact GrowsFiber. Customized options are shown as following:

Mux Type	Mux, DeMux, Mux & DeMux
Channel Spacing	100GHz, 200GHz
DWDM Channel Ports	CH15 to CH64
Additional Ports	None, 1310nm Port, Upgrade Port, Monitoring Port
Box Size	80×58×8, 100×80×10, 120×80×18, 140×115×18
Fiber Type	None, 250um bare fiber, 0.9mm loose tube, 2.0mm loose tube
Fiber Length	1.0m, 1.5m, 2.0m, 2.5m, ...
Connector Type	None, LC/UPC, LC/APC, SC/UPC, SC/APC, FC/UPC, FC/APC